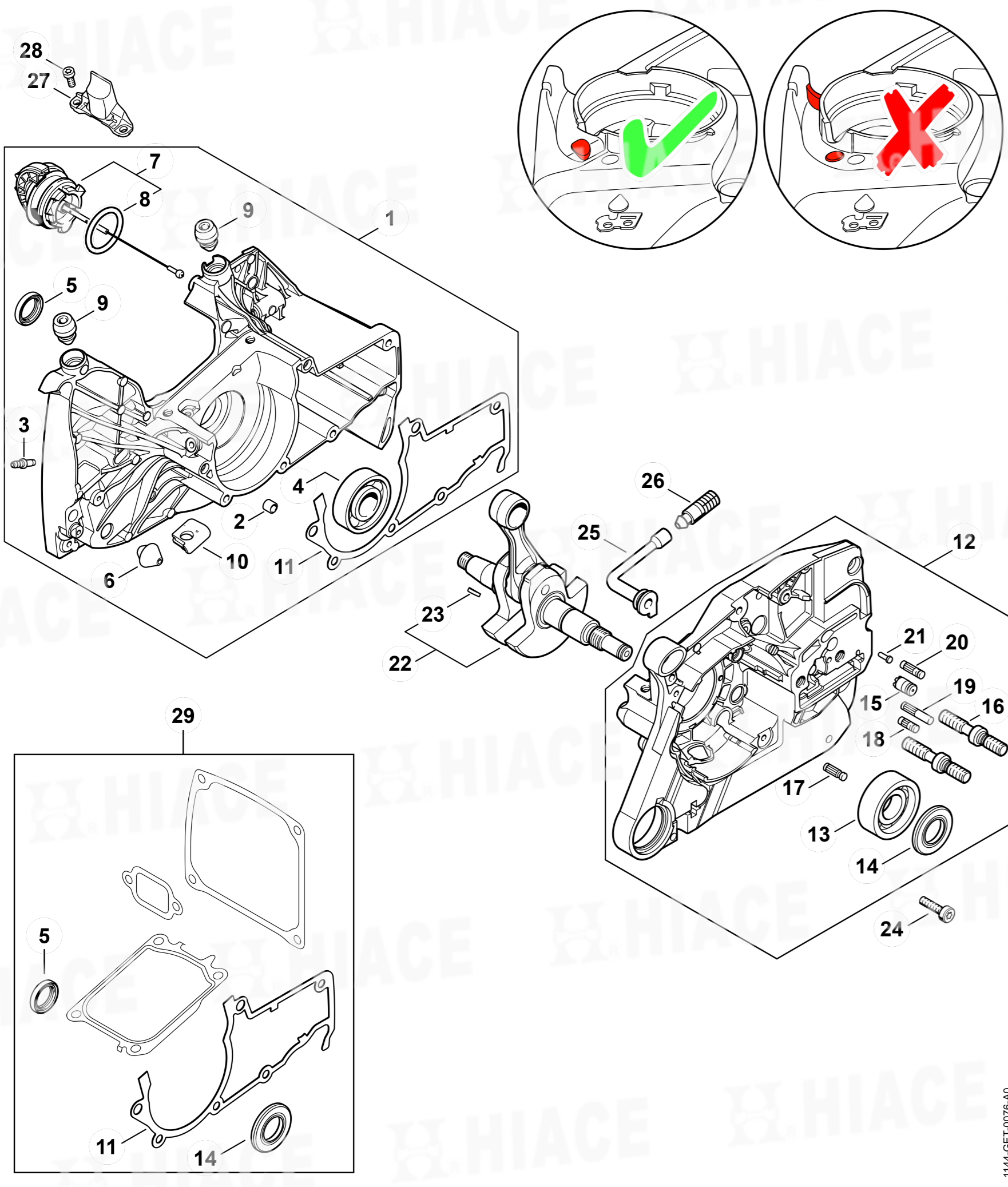
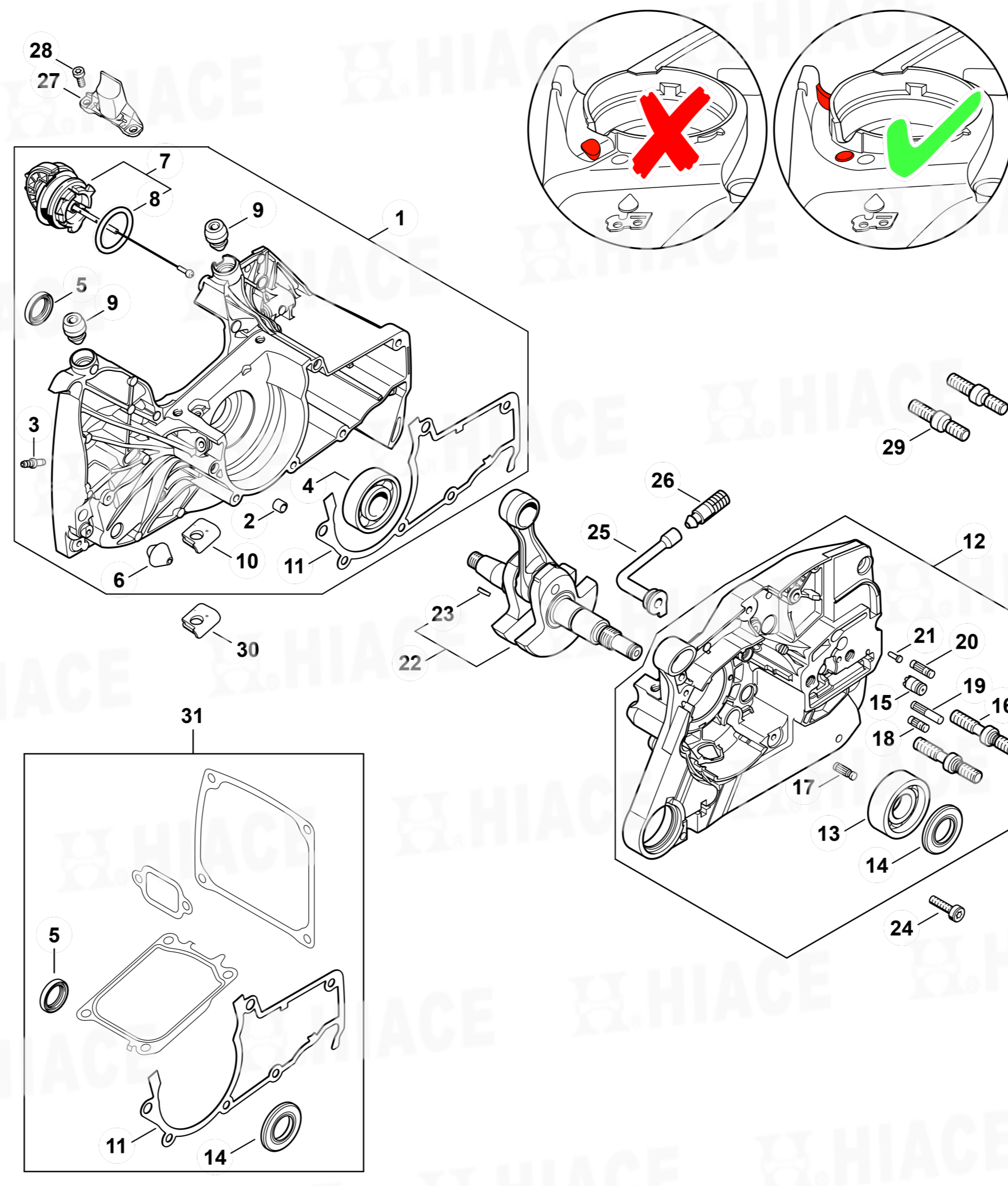


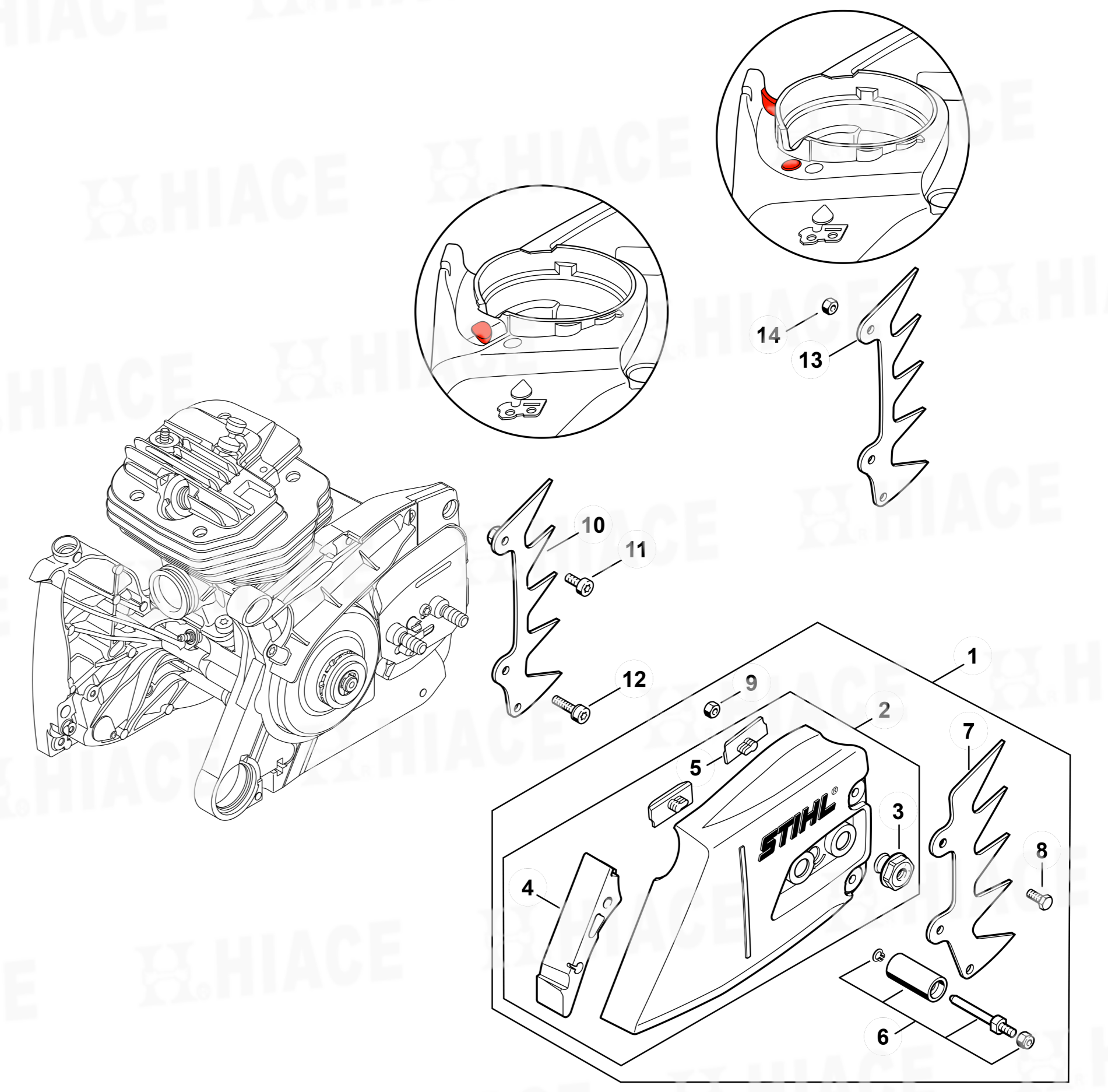
曲軸箱
Crankcase



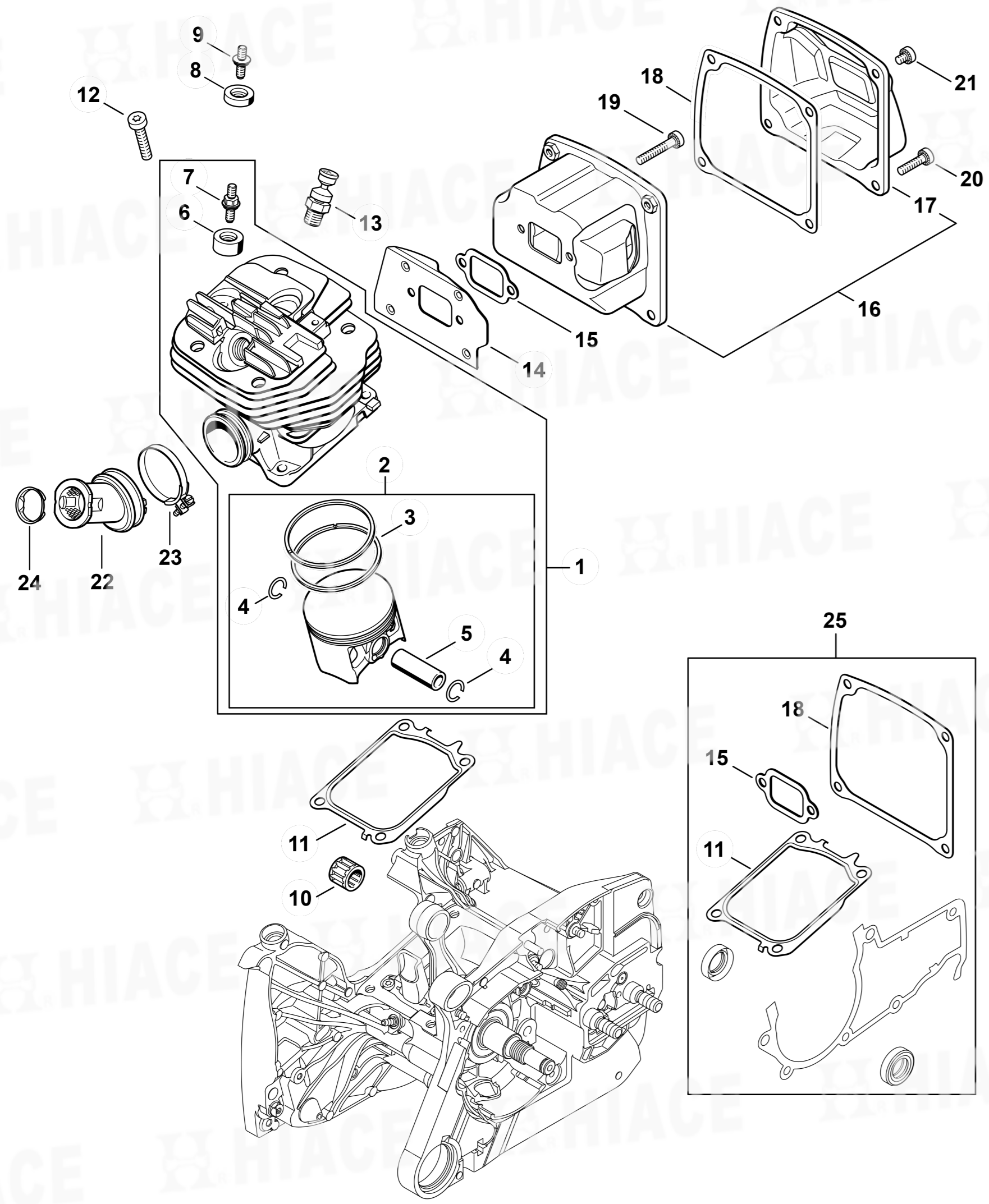
曲軸箱
Crankcase
188163090



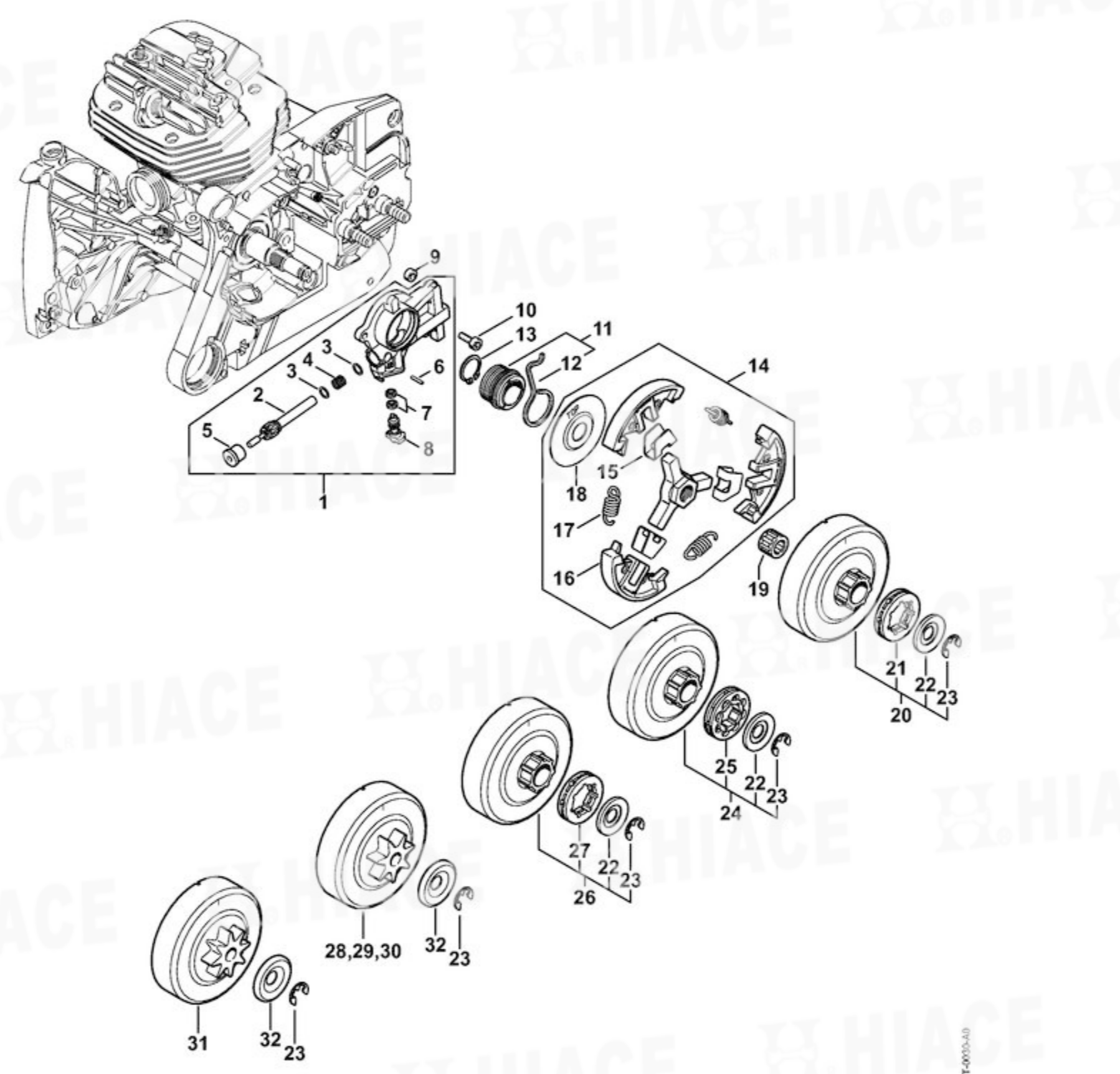
鏈輪蓋
Chain sprocket cover



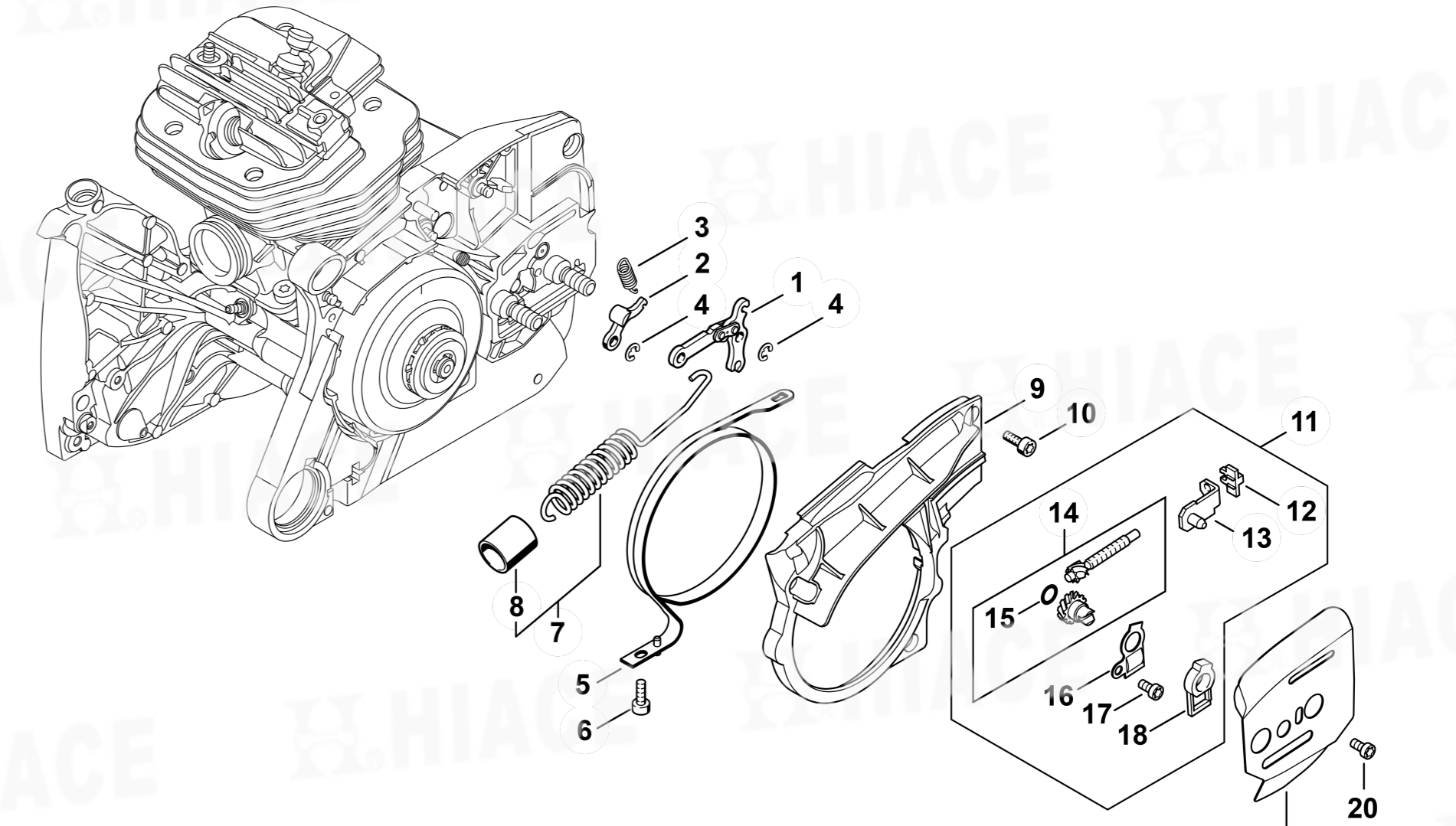
汽缸、消音器
Cylinder, Muffler



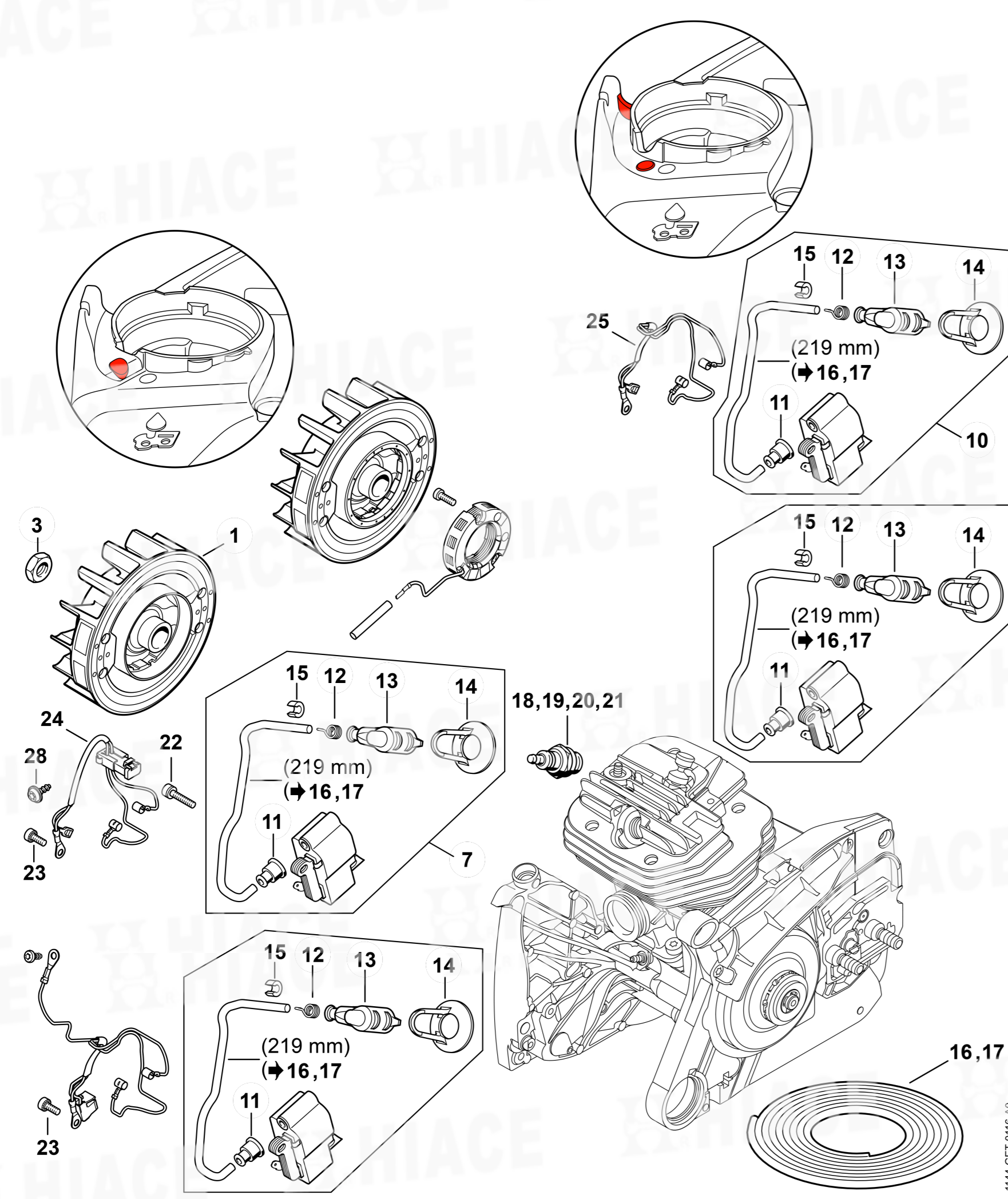
油泵、離合器
Oil pump, Clutch



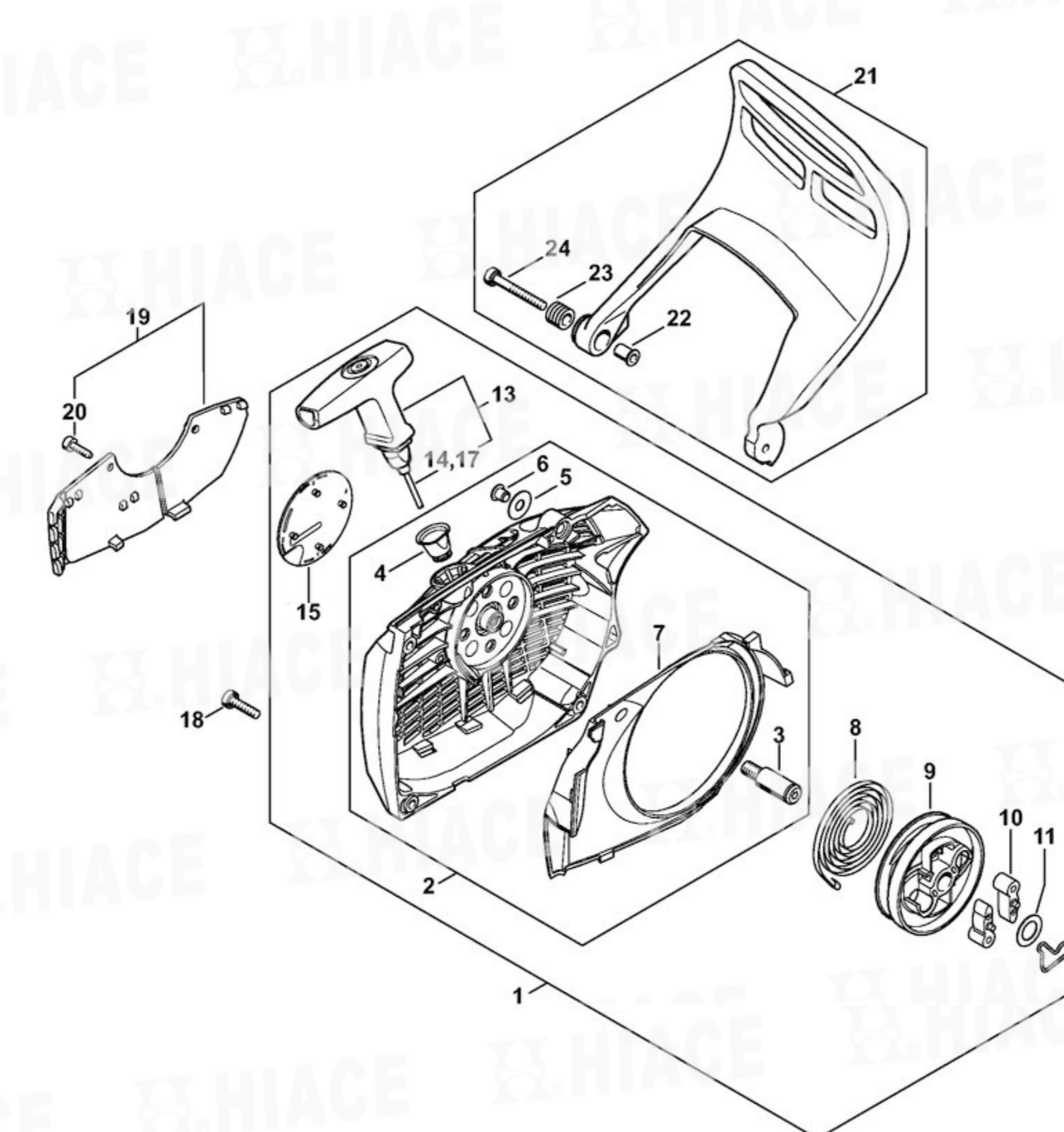
鋸鏈制動器、鋸鏈張緊器
Chain brake, Chain tensioner



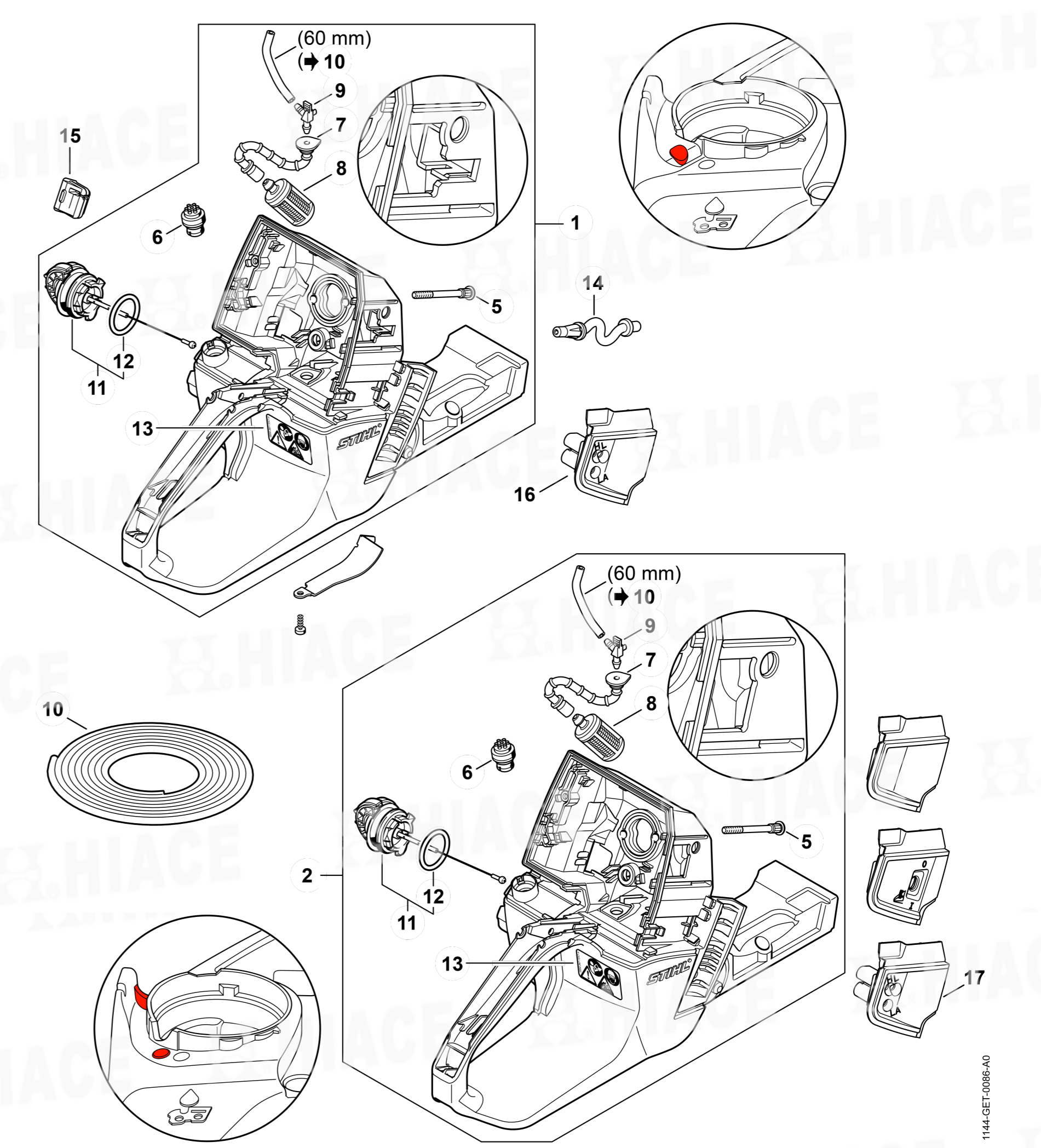
點火系統
Ignition system



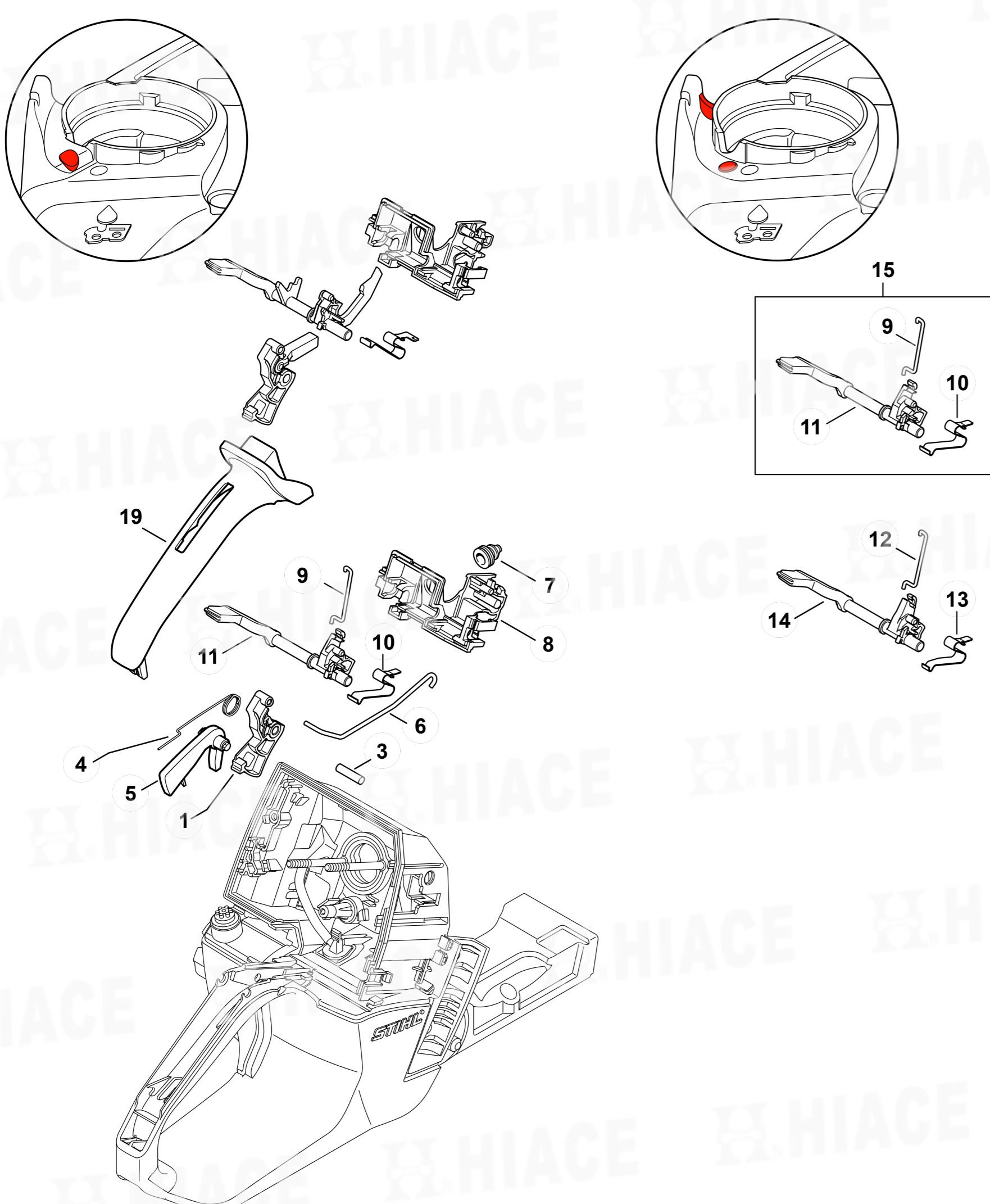
啟動裝置、護手
Rewind starter, Hand guard



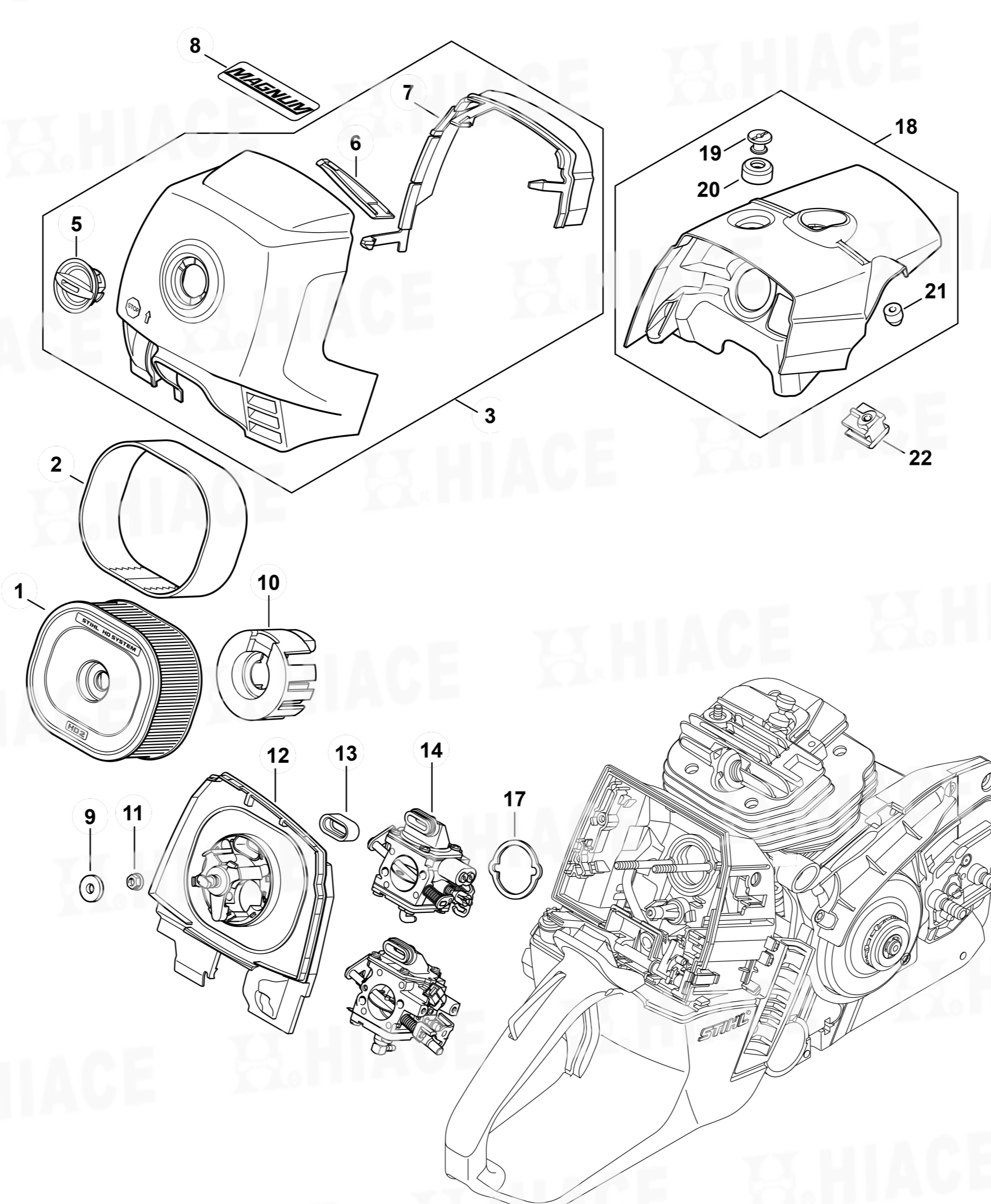
油箱
Tank housing



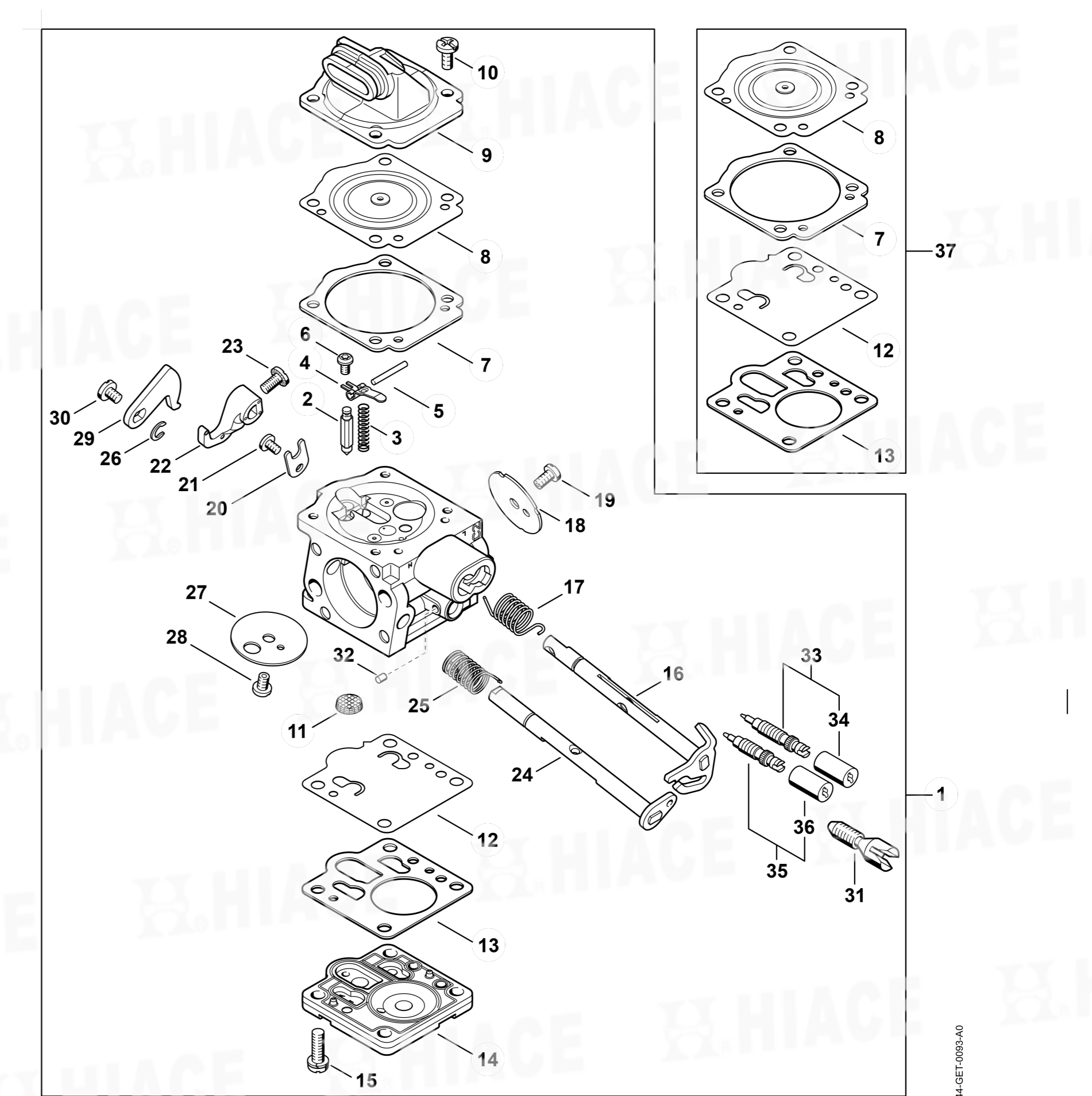
油門控制裝置
Throttle control



空氣過濾器、罩蓋
Air filter, Shroud

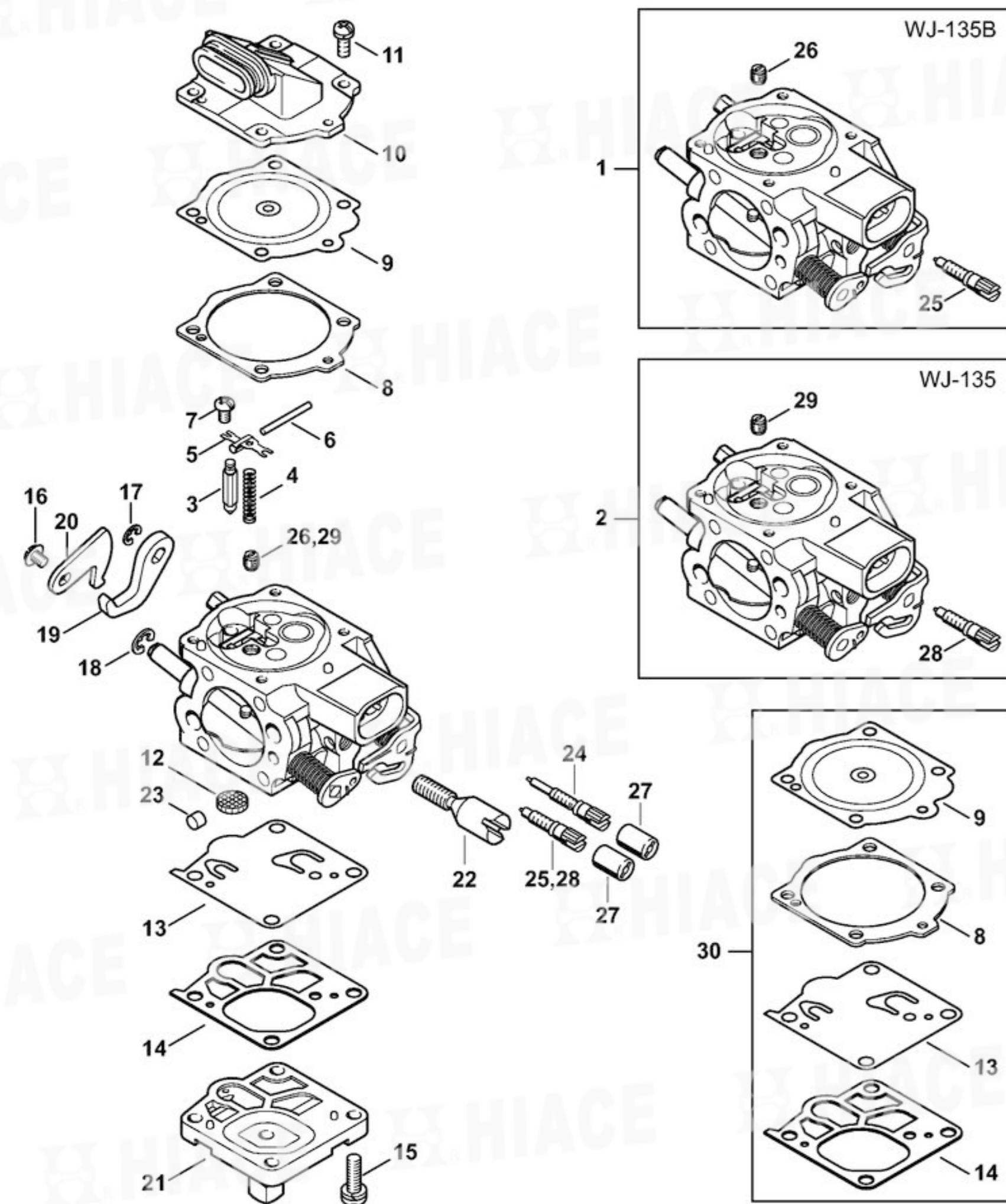


化油器
Carburetor
1144/02



MS-661 汽油鏈鋸

化油器
Carburetor
WJ-135



減振系統、把手
AV system, Handlebar

